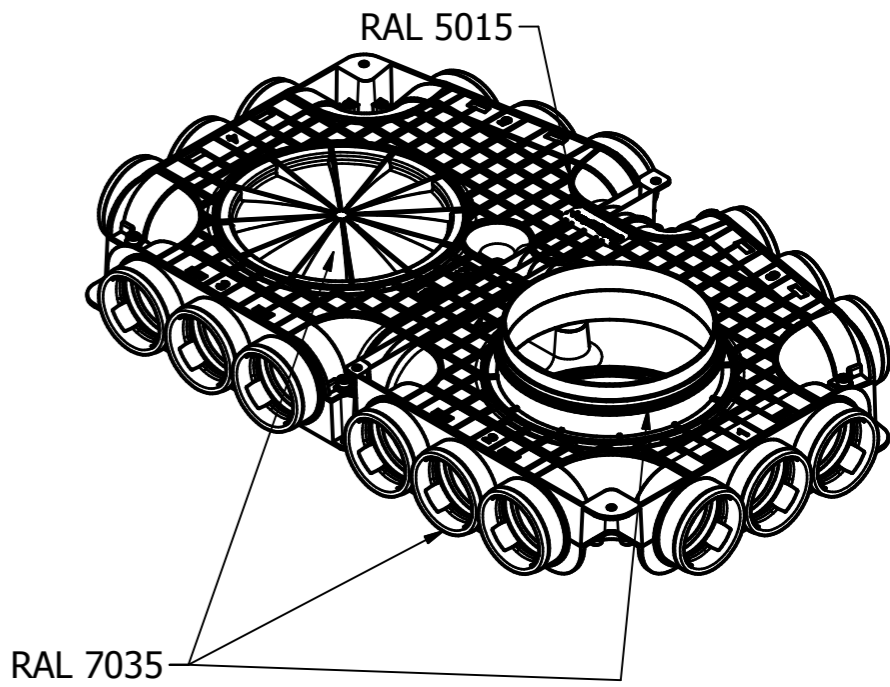


Connection for Ø63mm Uniflexplus+ Duct (18x)  
 Connection for Ø180mm Duct (1x)



PART NAME				
TVG 63 180 Instortverdeler 18xØ63 zijaansl. Tuit Ø180				
DRAWING NUMBER VENTILAIR	MATERIAL	REVISION HISTORY		
		REV	DATE	DESCRIPTION
2005000053	Mixed			BY
COLOUR	DATE			
RAL 5015/7035	21-3-2019			
SCALE	PROJ A-A	UNITS	SIZE	DRAWN BY
1 : 6		mm	A3	<i>Vent-Axia</i>